



Z888-6

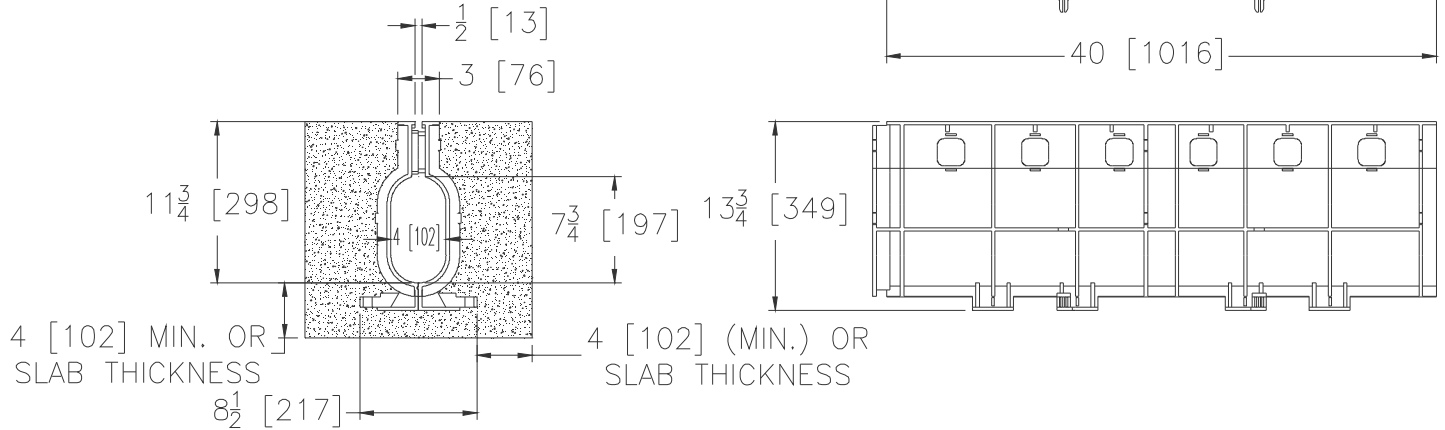
SPECIFICATION SHEET

SLOTTED DRAINAGE SYSTEM FOR 6 [152] PIPE OR EQUIVALENT

TAG _____

Dimensional Data (inches and [mm]) are Subject to Manufacturing Tolerances and Change Without Notice

SPECIFYING ENGINEER IS RESPONSIBLE FOR CONCRETE ENCASEMENT AND REINFORCING BASED UPON APPLICATION AND LOCAL CODES



ENGINEERING SPECIFICATION: Zurn Z888-6

Slot drain shall be 40 [1016] long, 4 [102] wide, and 11-3/4 [298] invert, with 1/2 [13] slot opening (ADA compliant). Drain shall be made of (HDPE) High Density Polyethylene, and is UV-10 stabilized. Drain shall have rebar clips molded onto bedding feet and/or bedding feet shall be used for positioning and anchoring purposes. Overlap connection shall be inter-locked.

PREFIXES

___ Z High Density Polyethylene Slot Drain with Integral Top Frame*

SUFFIXES (Check/specify appropriate options)

- ___ -E1 Closed End Cap
- ___ -E2 2 [51] No-Hub End Outlet
- ___ -E3 3 [76] No-Hub End Outlet
- ___ -E4 4 [102] No-Hub End Outlet
- ___ -E6 6 [152] No-Hub End Outlet
- ___ -EXT 4 [102] Extension
- ___ -PVSS Stainless Steel Frame with Slot
- ___ -U2 2 [51] No-Hub Bottom Outlet
- ___ -U3 3 [76] No-Hub Bottom Outlet
- ___ -U4 4 [102] No-Hub Bottom Outlet
- ___ -WS25 1/4 [6] Wide Heel-Proof Slots
- ___ -WS75 3/4 [19] Wide Slots

Supplied By:



877-903-7246

www.trenchdrainsupply.com

REV. E DATE: 09/20/13 C.N. NO. 129962

PROD./DWG. NO. Z888-6

*REGULARLY FURNISHED UNLESS OTHERWISE SPECIFIED

ZURN INDUSTRIES, LLC ♦ SPECIFICATION DRAINAGE OPERATION ♦ 1801 Pittsburgh Ave. ♦ Erie, PA 16514

Phone: 814/455-0921 ♦ Fax: 814/454-7929 ♦ World Wide Web: www.zurn.com

In Canada: ZURN INDUSTRIES LIMITED ♦ 3544 Nashua Drive ♦ Mississauga, Ontario L4V1L2 ♦ Phone: 905/405-8272 Fax: 905/405-1292